

**MOTOR SPECIFICATION SHEET**

MODEL : SCLF-QRV 3HP 4P

USED FOR : STANDARD

DESCRIPTION	DETAIL				
PHASE	1				
TYPE	CAPACITOR STAR AND RUN				
MODEL NAME	SCLF-QRV				
RATED OUTPUT, HP (kW)	3 (2.2)				
POLE	4				
CODE	MEATH CODE : 1M001D-400220QVEU1				
OUTLINE DRAWING NO.	ONM14O549-B				
RATED VOLTAGE (V)	220	230	220		
RATED FREQUENCY (Hz)	50	50	60		
RATED CURRENT (A)	15.8	15.8	13.6		
RATED SPEED (min <sup>-1</sup> )	1440	1445	1730		
THERMAL CLASS	155(F)				
RATING	S1 (CONTINUOUS)				
ENCLOSURE CONSTRUCTION	TOTALLY ENCLOSED FAN COOLED				
DEGREES OF PROTECTION	IP55				
METHOD OF COOLING	IC411				
FRAME NO.	112M				
WEIGHT (kg)	39				
STANDARD	JEC-2137-2000				
INSTALLATION	FLANGE MOUNTED (VERTICAL)				
ROTATION	CCW (VIEWED FROM SHAFT END)				
BEARING	LOAD SIDE : 6207ZZ				
	OPPOSITE SIDE : 6206ZZ				
BEARING GREASE	UREA GREASE				
NOISE (db.A)	67				
VIBRATION	V20				
CIRCUMSTANCE CONDITION	AMBIENT TEMPERATURE : -20 ~ +40°C				
	AMBIENT HUMIDITY : 95%RH OR LESS				
	ABOVE SEA LEVEL : 1000m OR LESS				
	ENVIRONMENT : NO BURSTING/EROSIVE GAS OR VAPOR				
COLOR	MUNSELL N1.5 (BLACK)				
TERMINAL BOX	NO. OF LEAD WIRES : 4				
	SOURCE CONNECTION : LEAD WIRES				
SHAFT SWING	≤0.03mm				
MATERIAL	FRAME : STEEL PLATE				
	BRACKET LOAD SIDE : CAST IRON (FLANGE)				
	OPPOSITE SIDE: ALUMINIUM				
	SHAFT : CARBON STEEL				
	STATOR CORE : ELECTRICAL STEEL				
	WIRE : ENAMELLED COPPER MAGNET WIRE				
	ROTOR CORE : ELECTRICAL STEEL				
	CONDUCTOR : ALUMINIUM				
	TERMINAL BOX : STEEL PLATE				
PAINTING : POLYURETHANE RESIN					
PRODUCTION COUNTRY	THAILAND				

Specifications subject to change without notice.

**SPECIFICATION SHEET NO.**

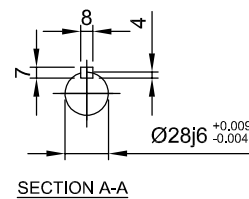
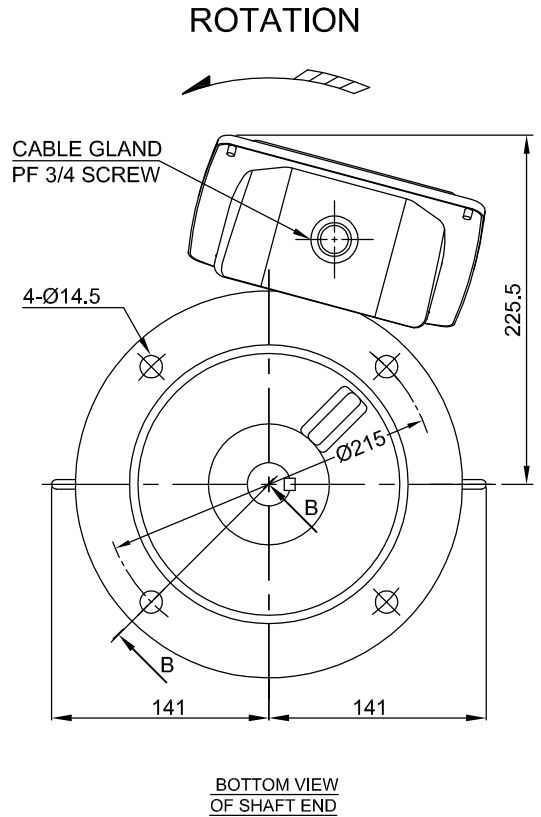
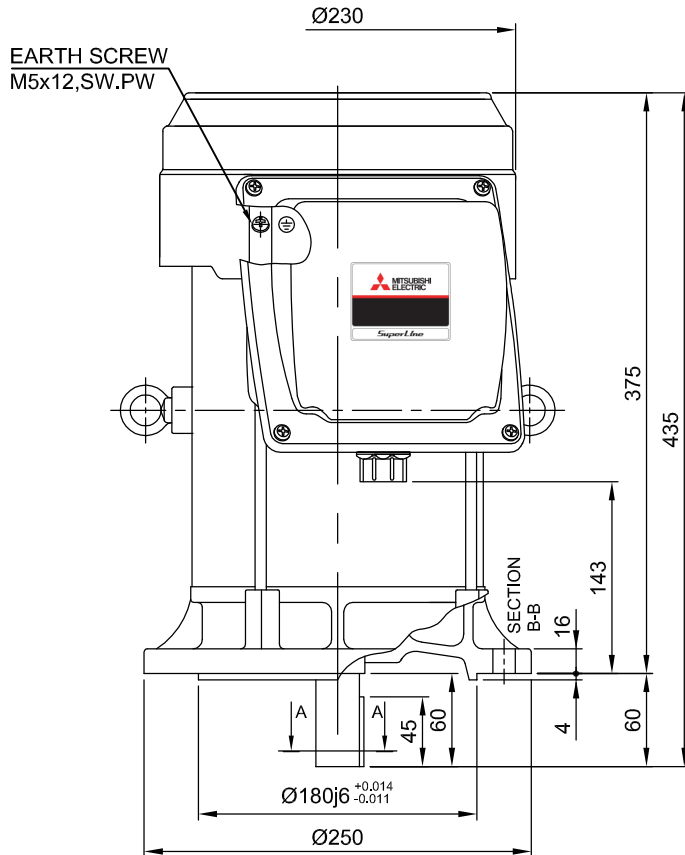
SS-N-1176-C

# MODEL SCLF-QRV SINGLE PHASE INDUCTION MOTOR OUTLINE DRAWING

CAPACITOR START AND RUN TYPE  
 TOTALLY ENCLOSED FAN COOLED  
 DEGREES OF PROTECTION IP55  
 DUST & WATER JET PROOF

CUSTOMER \_\_\_\_\_  
 USER \_\_\_\_\_  
 FOR \_\_\_\_\_  
 CUSTOMER'S ORDER NO. \_\_\_\_\_  
 QUANTITY \_\_\_\_\_  
 MFG. ORDER NO. \_\_\_\_\_

STARTING CAPACITOR	180 $\mu$ F 330 VAC
RUNNING CAPACITOR	22.5 $\mu$ F 520 VAC



FRAME SIZE	RATING	TH. CLASS	AMB. TEMP.	BEARINGS		COLOR	DIRECTION OF ROTATION	NO. OF LEAD WIRES
				LOAD SIDE	OPP. SIDE			
112M	S1	155(F)	40°C	6207ZZ	6206ZZ	BLACK (MUNSELL N1.5)	CCW	4

OUTPUT		POLE	VOLT	HERTZ	AMP	RPM	REMARK
HP	KW						
3	2.2	4	220/230	50	15.8/15.8	1440/1445	
			220	60	13.6	1730	

MITSUBISHI ELECTRIC AUTOMATION (THAILAND) CO.,LTD.

		OUTLINE DRAWING NO.	REV.
	DIMENSION IN mm.	<b>ONM140549</b>	<b>B</b>
SCALE : NTS.			